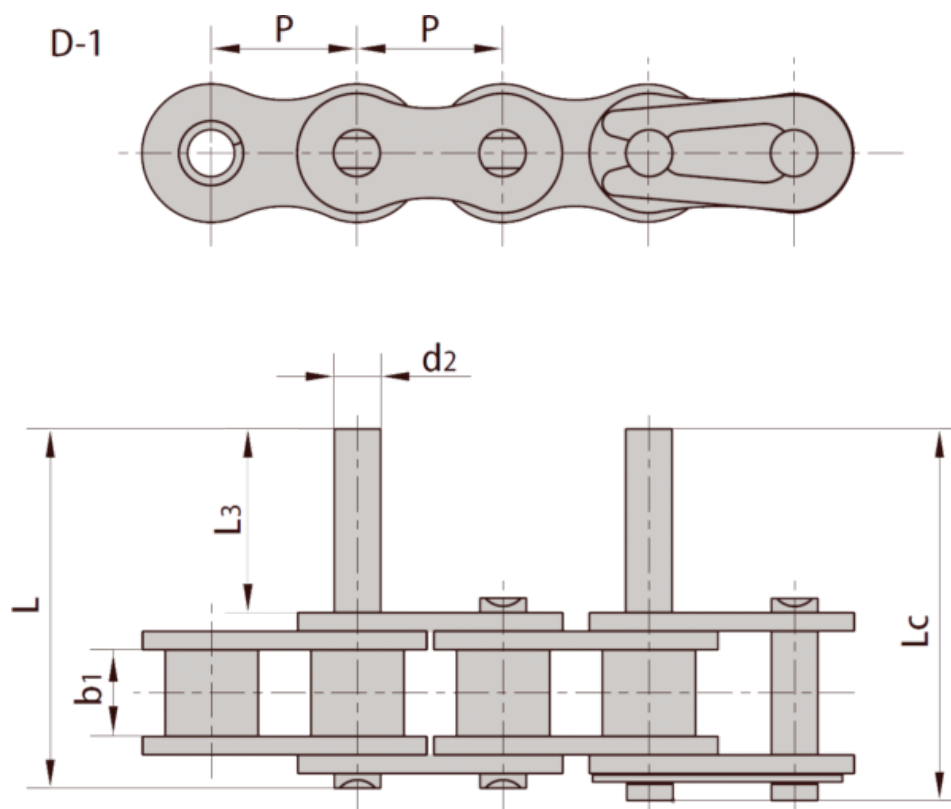


Article number: 6100110061071

Description: 10B1

Extended pin one side only, connecting link

Measures



b1 = 9.65
d2 = 5.08
L = 30.1
L3 = 11.9
Lc = 31.5
P = 15.875